

Round Type

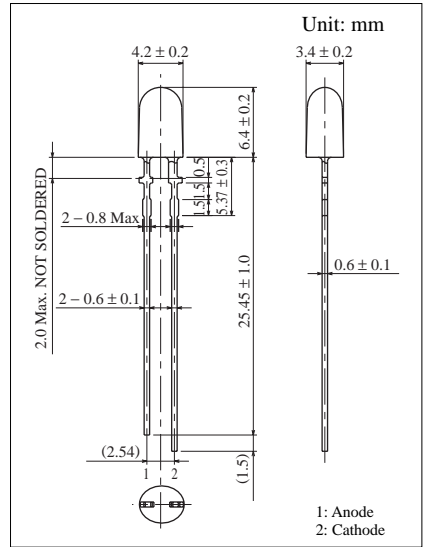
φ 4.0 mm Blue LNW9A8BYFZ

Conventional Part No. Global Parts No. Lighting Color
LNW9A8BYFZ LNW9A8BYFZ Blue

■ Absolute Maximum Ratings ($T_a = 25^\circ\text{C}$)

Lighting Color	P_D (mW)	I_F (mA)	I_{FP} (mA)*	V_R (V)	T_{opr} ($^\circ\text{C}$)	T_{stg} ($^\circ\text{C}$)
Blue	120	30	100	4	-25 ~ +85	-30 ~ +100

I_{FP} の条件は duty 10% ,Pulse width 1 msec. The condition of I_{FP} is duty 10%, Pulse width 1 msec



■ Electro-Optical Characteristics ($T_a = 25^\circ\text{C}$)

Conventional Part No.	Lighting Color	Lens Color	I_O		I_F	V_F		λ_P	$\Delta\lambda$	I_F	I_R	
			Typ	Min		Typ	Max				Max	V_R
LNW9A8BYFZ	Blue	Clear	180	—	20	3.7	4.3	468	30	20	100	4
Unit	—	—	mcd	mcd	mA	V	V	nm	nm	mA	μA	V

